

## SV16-23

### 2 Way, Normally Open, 207 BAR Rated

A solenoid-operated, two-way, normally open, poppet-type, screw-in hydraulic cartridge valve, designed to function as a load holding or blocking valve in applications requiring low internal leakage.

Voltage	Hydraforce code	Article no.	Price £	Price €
<b>CARTRIDGE VERSION</b>				
24V DC	SV16-23-0-N-24DG	<b>SV1623C24</b>	<b>£184.10</b>	<b>€221.00</b>
110V AC	SV16-23-0-N-115AG	<b>SV1623C115</b>	<b>£204.00</b>	<b>€244.70</b>
220V AC	SV16-23-0-N-230AG	<b>SV1623C230</b>	<b>£204.00</b>	<b>€244.70</b>
<b>INLINE WITH BODY 3/4" BSP</b>				
24V DC	SV16-23-6B-N-24DG	<b>SV16236B24</b>	<b>£244.70</b>	<b>€293.70</b>
110V AC	SV16-23-6B-N-115AG	<b>SV16236B110</b>	<b>£264.50</b>	<b>€317.40</b>
220V AC	SV16-23-6B-N-230AG	<b>SV16236B230</b>	<b>£264.50</b>	<b>€317.40</b>
<b>INLINE WITH 1" BSP</b>				
24V DC	SV16-23-8B-N-24DG	<b>SV16238B24</b>	<b>£244.70</b>	<b>€293.70</b>
110V AC	SV16-23-8B-N-115AG	<b>SV16238B115</b>	<b>£264.50</b>	<b>€317.40</b>
220V AC	SV16-23-8B-N-230AG	<b>SV16238B230</b>	<b>£264.50</b>	<b>€317.40</b>
<b>with nitril seals</b>				
<b>WITH 'G' DIN CONNECTOR PLUG</b>				

On request - Viton Seals - Screen filter protection - Manual Override  
On request - For DC coils with spade or push on connections



### Materials

#### Cartridge:

Weight: 0.31 kg. (0.69 lbs.)  
Steel with hardened work surfaces.  
Zinc-plated exposed surfaces.  
Buna N O-rings and polyester elastomer back-up standard.

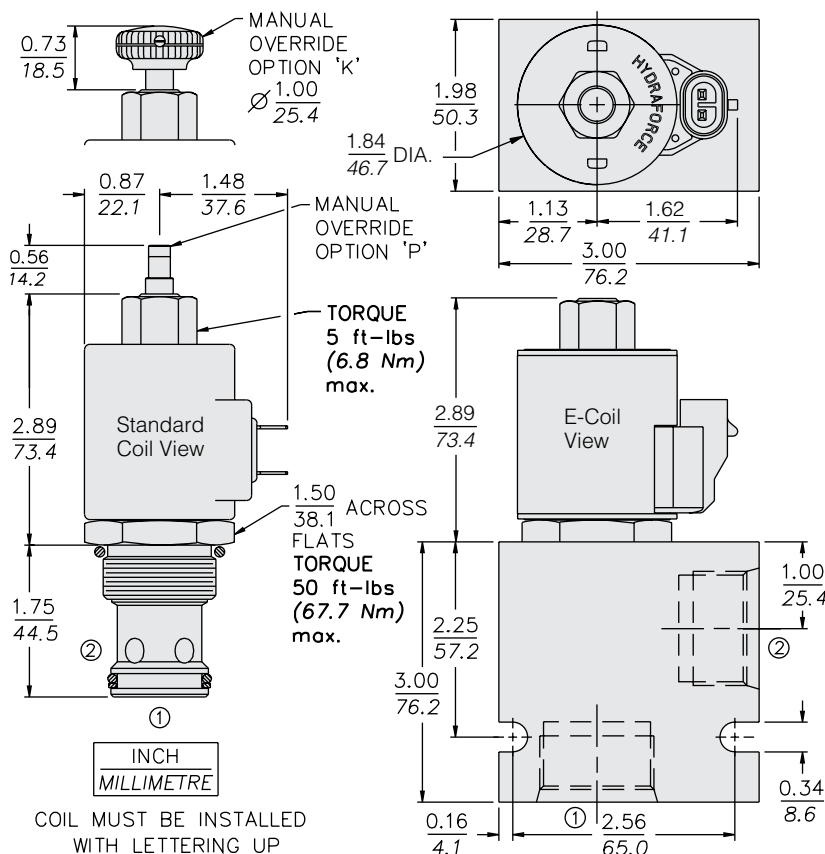
#### Standard Ported Body:

Weight: 0.57 kg. (1.25 lbs.)  
Anodized high-strength 6061 T6 aluminum alloy, rated to 207 bar (3000 psi).  
Ductile iron bodies available; dimensions may differ.

#### Standard Coil:

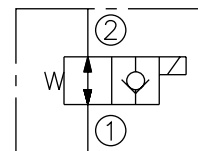
Weight: 0.27 kg. (0.60 lbs.)  
Unitized thermoplastic encapsulated,

### Dimensions

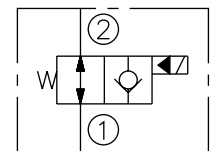


### Symbols

#### USASI:



#### ISO:



### Performance (Cartridge Only)

