

## SV16-21

### 2 Way, Normally Open, 207 BAR Rated

A solenoid-operated, 2-way, normally open, poppet-type, screw-in hydraulic cartridge valve, designed to function as a load-holding or blocking valve in applications requiring low internal leakage.

Voltage	Hydraforce code	Article no.	Price £	Price €
<b>CARTRIDGE VERSION</b>				
24V DC	SV16-21-0-N-24DG	<b>SV1621C24</b>	<b>£179.70</b>	<b>€215.70</b>
110V AC	SV16-21-0-N-115AG	<b>SV1621C115</b>	<b>£199.50</b>	<b>€239.40</b>
220V AC	SV16-21-0-N-230AG	<b>SV1621C230</b>	<b>£199.50</b>	<b>€239.40</b>
<b>INLINE WITH BODY 3/4" BSP</b>				
24V DC	SV16-21-6B-N-24DG	<b>SV16216B24</b>	<b>£241.50</b>	<b>€289.80</b>
110V AC	SV16-21-6B-N-115AG	<b>SV16216B110</b>	<b>£261.30</b>	<b>€313.50</b>
220V AC	SV16-21-6B-N-230AG	<b>SV16216B230</b>	<b>£261.30</b>	<b>€313.50</b>
<b>INLINE WITH BODY 1" BSP</b>				
24V DC	SV16-21-8B-N-24DG	<b>SV16218B24</b>	<b>£240.30</b>	<b>€288.40</b>
110V AC	SV16-21-8B-N-115AG	<b>SV16218B115</b>	<b>£260.10</b>	<b>€312.10</b>
220V AC	SV16-21-8B-N-230AG	<b>SV16218B230</b>	<b>£260.10</b>	<b>€312.10</b>

with nitril seals

**WITH 'G' DIN CONNECTOR PLUG**

On request - Viton Seals - Screen filter protection - Manual Override  
 On request - For DC coils with spade or push on connections



HYDRAFORCE

### Materials

#### Cartridge:

Weight: 0.31 kg. (0.69 lbs.)  
 Steel with hardened work surfaces.  
 Zinc-plated exposed surfaces.  
 Buna N O-rings and polyester elastomer back-up standard.

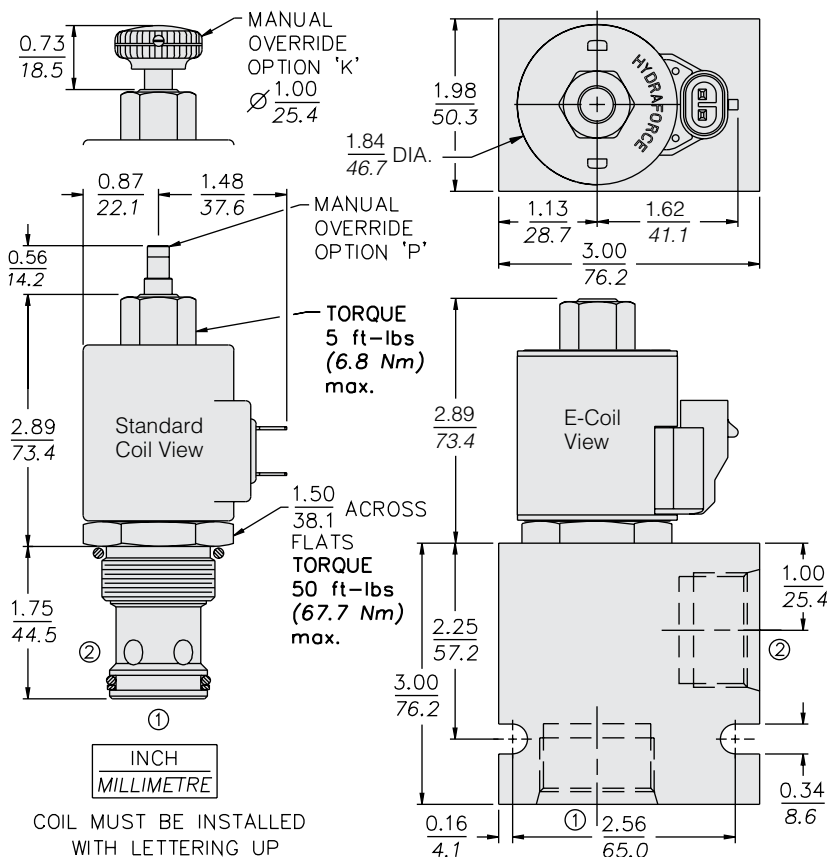
#### Standard Ported Body:

Weight: 0.57 kg. (1.25 lbs.)  
 Anodized high-strength 6061 T6 aluminum alloy, rated to 207 bar (3000 psi).  
 Ductile iron bodies available; dimensions may differ.

#### Standard Coil:

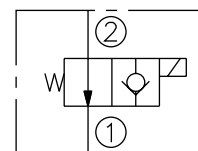
Weight: 0.27 kg. (0.60 lbs.)  
 Unitized thermoplastic encapsulated.

### Dimensions

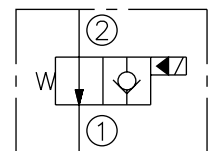


### Symbols

#### USASI:



#### ISO:



### Performance (Cartridge Only)

