

SV08-47C

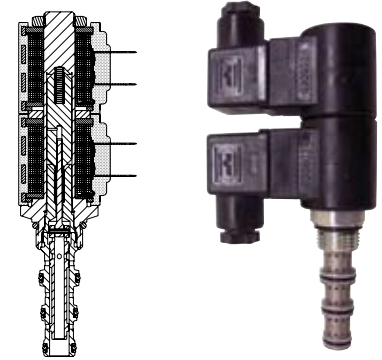
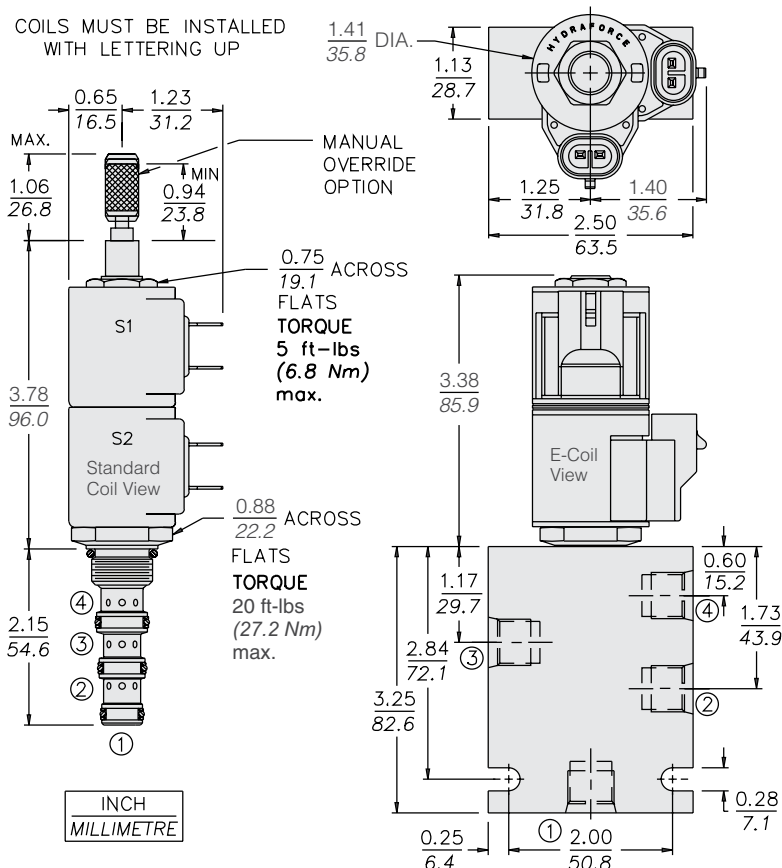
4 Way, 3 Position, Spool, Closed Center, 207 BAR Rated

A solenoid-operated, 4-way, 3-position, direct-acting, spool-type, closed center, screw-in hydraulic cartridge valve.

Voltage	Hydraforce code	Article no.	Price £	Price €
CARTRIDGE VERSION				
24V DC	SV08-47C-0-N-24DG	SV0847CC24	£165.20	€198.20
110V AC	SV08-47C-0-N-115AG	SV0847CC115	£205.50	€246.70
220V AC	SV08-47C-0-N-230AG	SV0847CC230	£218.50	€262.20
INLINE WITH BODY 1/4" BSP				
24V DC	SV08-47C-2B-N-24DG	SV0847C2B24	£217.70	€261.20
110V AC	SV08-47C-2B-N-115AG	SV0847C2B110	£258.00	€309.70
220V AC	SV08-47C-2B-N-230AG	SV0847C2B230	£271.00	€325.20
INLINE WITH BODY 3/8" BSP				
24V DC	SV08-47C-3B-N-24DG	SV0847C3B24	£217.70	€261.20
110V AC	SV08-47C-3B-N-115AG	SV0847C3B110	£258.00	€309.70
220V AC	SV08-47C-3B-N-230AG	SV0847C3B230	£271.00	€325.20
with nitril seals				
WITH 'G' DIN CONNECTOR PLUG				

On request - Viton Seals - Screen filter protection - Manual Override
On request - For DC coils with spade or push on connections

Dimensions



HYDRAFORCE

Materials

Cartridge:

Weight: 0.13 kg. (0.28 lbs.)
Steel with hardened work surfaces.
Zinc-plated exposed surfaces.
Buna N O-rings and back-ups standard.

Standard Ported Body:

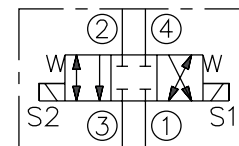
Weight: 0.27 kg. (0.60 lbs.)
Anodized high-strength 6061 T6 aluminum alloy, rated to 207 bar (3000 psi).
Ductile iron bodies available;
dimensions may differ.

Standard Coil:

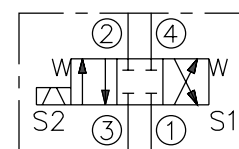
Weight each: 0.11 kg. (0.25 lbs.)
Unitized thermoplastic encapsulated.

Symbols

USASI:



ISO:



Performance (Cartridge Only)

