

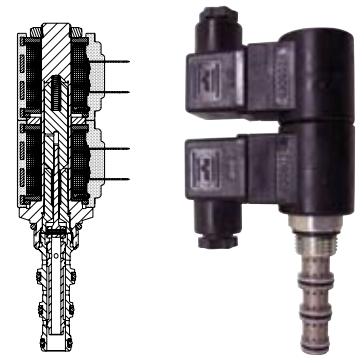
SV08-47B

4 Way, 3 Position, Spool, Open Center, 207 BAR Rated

A solenoid-operated, 4-way, 3-position, direct-acting, spool-type, open center, screw-in hydraulic cartridge valve.

Voltage	Hydraforce code	Article no.	Price £	Price €
CARTRIDGE VERSION				
24V DC	SV08-47B-0-N-24DG	SV0847BC24	£170.00	€204.00
110V AC	SV08-47B-0-N-115AG	SV0847BC115	£210.40	€252.50
220V AC	SV08-47B-0-N-230AG	SV0847BC230	£223.30	€268.00
INLINE WITH BODY 1/4" BSP				
24V DC	SV08-47B-2B-N-24DG	SV0847B2B24	£222.50	€267.00
110V AC	SV08-47B-2B-N-115AG	SV0847B2B110	£262.90	€315.50
220V AC	SV08-47B-2B-N-230AG	SV0847B2B230	£275.80	€331.00
INLINE WITH BODY 3/8" BSP				
24V DC	SV08-47B-3B-N-24DG	SV0847B3B24	£222.50	€267.00
110V AC	SV08-47B-3B-N-115AG	SV0847B3B110	£262.90	€315.50
220V AC	SV08-47B-3B-N-230AG	SV0847B3B230	£275.80	€331.00
with nitril seals				
WITH 'G' DIN CONNECTOR PLUG				

On request - Viton Seals - Screen filter protection - Manual Override
On request - For DC coils with spade or push on connections



HYDRAFORCE

Materials

Cartridge:

Weight: 0.13 kg. (0.28 lbs.)
Steel with hardened work surfaces.
Zinc-plated exposed surfaces.
Buna N O-rings and back-ups standard.

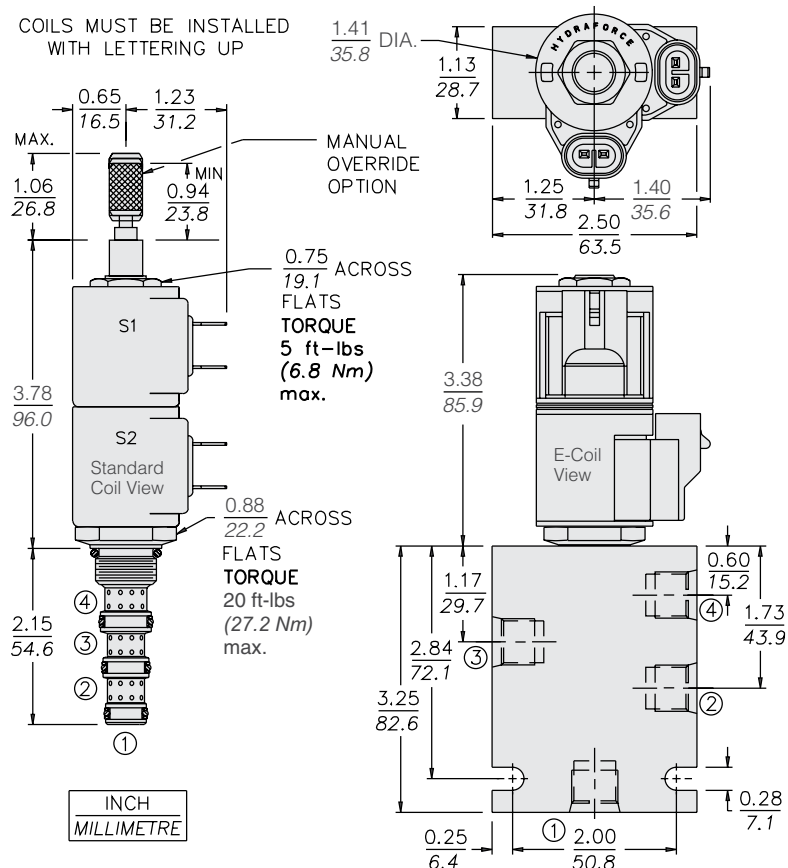
Standard Ported Body:

Weight: 0.27 kg. (0.60 lbs.)
Anodized high-strength 6061 T6 aluminum alloy, rated to 207 bar (3000 psi).
Ductile iron bodies available;
dimensions may differ.

Standard Coil:

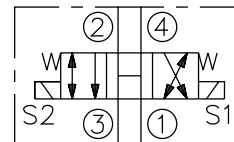
Weight each: 0.11 kg. (0.25 lbs.)
Unitized thermoplastic encapsulated.

Dimensions

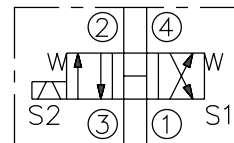


Symbols

USASI:



ISO:



Performance (Cartridge Only)

