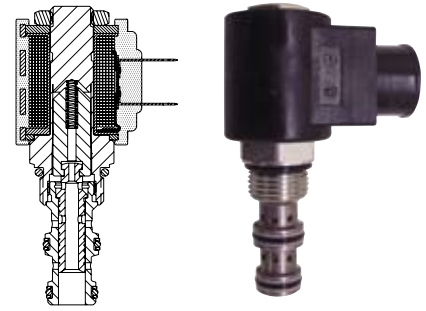


SV08-33

3 Way, Spool, 207 BAR Rated

A solenoid-operated, 3-way, direct-acting, spool-type, screw-in hydraulic directional valve.

Voltage	Hydraforce code	Article no.	Price £	Price €
CARTRIDGE VERSION				
24V DC	SV08-33-0-N-24DG	SV0833C24	£94.90	€113.90
110V AC	SV08-33-0-N-115AG	SV0833C115	£115.10	€138.10
220V AC	SV08-33-0-N-230AG	SV0833C230	£121.50	€145.90
INLINE WITH BODY 1/4" BSP				
24V DC	SV08-33-2B-N-24DG	SV08332B24	£139.30	€167.20
110V AC	SV08-33-2B-N-115AG	SV08332B110	£159.50	€191.40
220V AC	SV08-33-2B-N-230AG	SV08332B230	£166.00	€199.20
INLINE WITH BODY 3/8" BSP				
24V DC	SV08-33-3B-N-24DG	SV08333B24	£139.30	€167.20
110V AC	SV08-33-3B-N-115AG	SV08333B110	£159.50	€191.40
220V AC	SV08-33-3B-N-230AG	SV08333B230	£166.00	€199.20



HYDRAFORCE

Materials

Cartridge:

Weight: 0.13 kg. (0.28 lbs.)
Steel with hardened work surfaces.
Zinc-plated exposed surfaces.
Buna N O-rings and back-ups standard.

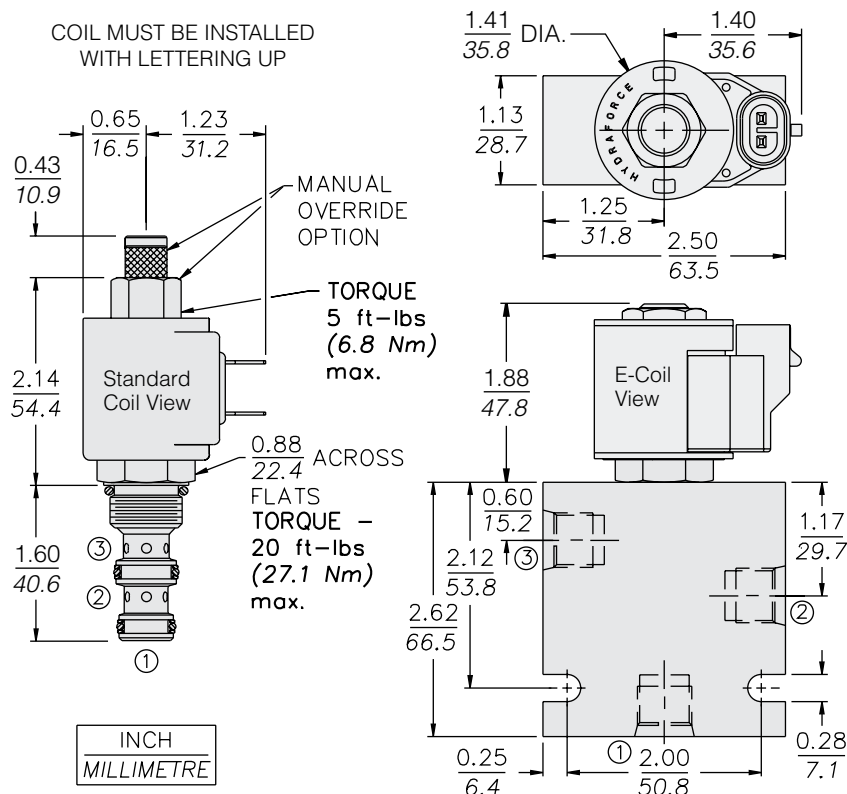
Standard Ported Body:

Weight: 0.27 kg. (0.60 lbs.)
Anodized high-strength 6061 T6 aluminum alloy, rated to 207 bar (3000 psi).
Ductile iron bodies available; dimensions may differ.

Standard Coil:

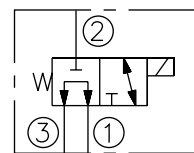
Weight: 0.11 kg. (0.25 lbs.)
Unitized thermoplastic encapsulated.

Dimensions



Symbols

USASI/ISO:



Performance (Cartridge Only)

