

## SV08-23

### 2 Way, Normally Open, 207 BAR Rated

A solenoid-operated, two-way, poppet-type, normally open, screw-in, hydraulic cartridge valve designed for low leakage in load-holding applications.

Voltage	Hydraforce code	Article no.	Price £	Price €
<b>CARTRIDGE VERSION</b>				
24V DC	SV08-23-0-N-24DG	<b>SV0823C24</b>	<b>£111.00</b>	<b>€133.30</b>
110V AC	SV08-23-0-N-115AG	<b>SV0823C115</b>	<b>£131.30</b>	<b>€157.50</b>
220V AC	SV08-23-0-N-230AG	<b>SV0823C230</b>	<b>£137.70</b>	<b>€165.30</b>
<b>INLINE WITH BODY 1/4" BSP</b>				
24V DC	SV08-23-2B-N-24DG	<b>SV08232B24</b>	<b>£147.40</b>	<b>€176.90</b>
110V AC	SV08-23-2B-N-115AG	<b>SV08232B110</b>	<b>£167.60</b>	<b>€201.10</b>
220V AC	SV08-23-2B-N-230AG	<b>SV08232B230</b>	<b>£174.10</b>	<b>€208.90</b>
<b>INLINE WITH BODY 3/8" BSP</b>				
24V DC	SV08-23-3B-N-24DG	<b>SV08233B24</b>	<b>£147.40</b>	<b>€176.90</b>
110V AC	SV08-23-3B-N-115AG	<b>SV08233B115</b>	<b>£167.60</b>	<b>€201.10</b>
220V AC	SV08-23-3B-N-230AG	<b>SV08233B230</b>	<b>£174.10</b>	<b>€208.90</b>
<b>with nitril seals</b>				
<b>WITH 'G' DIN CONNECTOR PLUG</b>				

On request - Viton Seals - Screen filter protection - Manual Override  
 On request - For DC coils with spade or push on connections



### Materials

#### Cartridge:

Weight: 0.09 kg. (0.20 lbs.)  
 Steel with hardened work surfaces.  
 Zinc-plated exposed surfaces.  
 Buna N O-rings and polyester elastomer back-up standard.

#### Standard Ported Body:

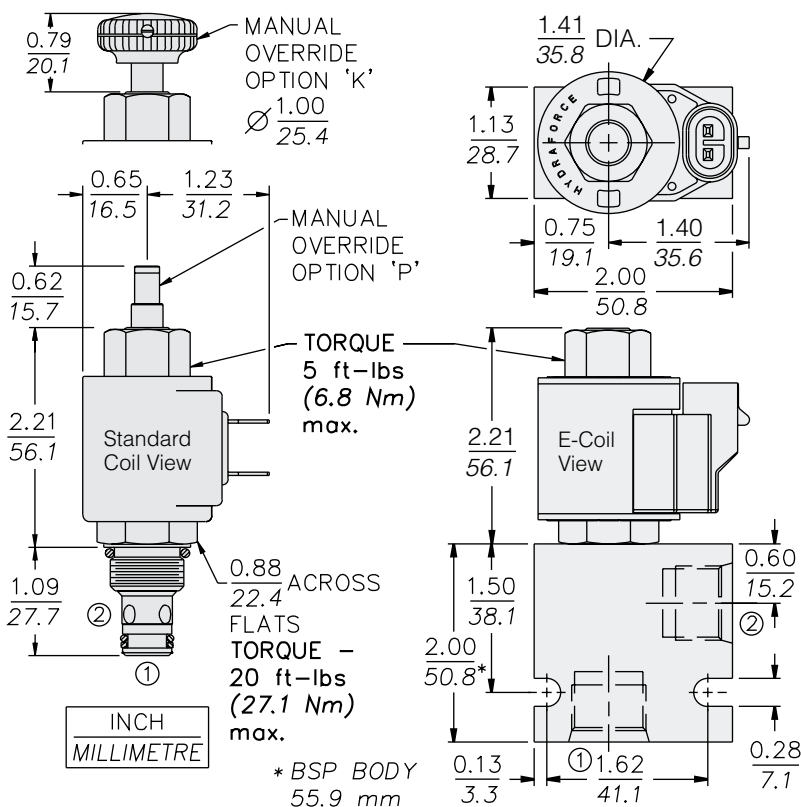
Weight: 0.16 kg. (0.35 lbs.)  
 Anodized high-strength 6061 T6 aluminum alloy, rated to 207 bar (3000 psi).  
 Ductile iron bodies available; dimensions may differ.

#### Standard Coil:

Weight: 0.11 kg. (0.25 lbs.)  
 Unitized thermoplastic encapsulated.

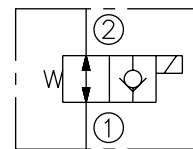
### Dimensions

COIL MUST BE INSTALLED WITH LETTERING UP

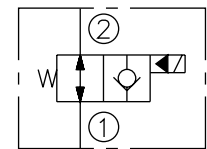


### Symbols

#### USASI:



#### ISO:



### Performance (Cartridge Only)

