



Materials

Cartridge

Weight: 0.09 kg. (0.20 lbs.)
Steel with hardened work surfaces.
Zinc-plated exposed surfaces
Buna N O-rings and back-ups standard.

Standard Ported Body

Weight: 0.16 kg. (0.35 lbs.)
Anodized highstrength 6061 T6 aluminum alloy, rated to 207 bar (3000 psi)
Ductile iron bodies available
dimensions may differ.

Standard Coil

Weight: 0.11 kg. (0.25 lbs.)
Unitized thermoplastic encapsulated

SV08-20

2 Way, Normally Closed, 207 BAR Rated

A solenoid-operated, 2-way, normally closed, piloted poppet-type, screw-in hydraulic cartridge valve, intended to act as a blocking or load-holding device for low flow circuits.

Voltage	Hydraforce code	Article no.	Price £	Price €
CARTRIDGE VERSION				
24V DC	SV08-20-0-N-24DG	SV0820C24	£84.00	€100.80
110V AC	SV08-20-0-N-115AG	SV0820C115	£104.20	€125.00
220V AC	SV08-20-0-N-230AG	SV0820C230	£110.60	€132.80
INLINE WITH BODY 1/4" BSP				
24V DC	SV08-20-2B-N-24DG	SV08202B24	£120.40	€144.40
110V AC	SV08-20-2B-N-115AG	SV08202B110	£140.60	€168.70
220V AC	SV08-20-2B-N-230AG	SV08202B230	£147.00	€176.40
INLINE WITH BODY 3/8" BSP				
24V DC	SV08-20-3B-N-24DG	SV08203B24	£120.40	€144.40
110V AC	SV08-20-3B-N-115AG	SV08203B115	£140.60	€168.70
220V AC	SV08-20-3B-N-230AG	SV08203B230	£147.00	€176.40

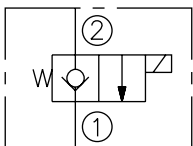
with nitril seals

WITH 'G' DIN CONNECTOR PLUG

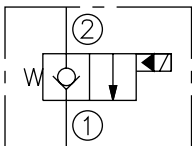
On request - Viton Seals - Screen filter protection - Manual Override
On request - For DC coils with spade or push on connections

Symbols

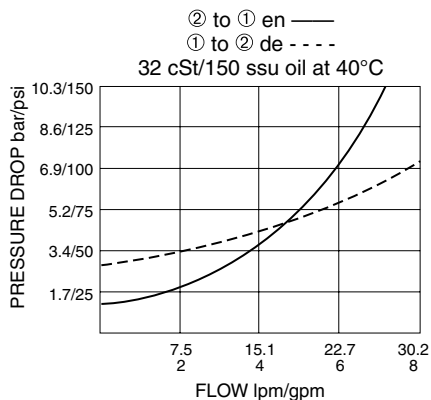
USASI:



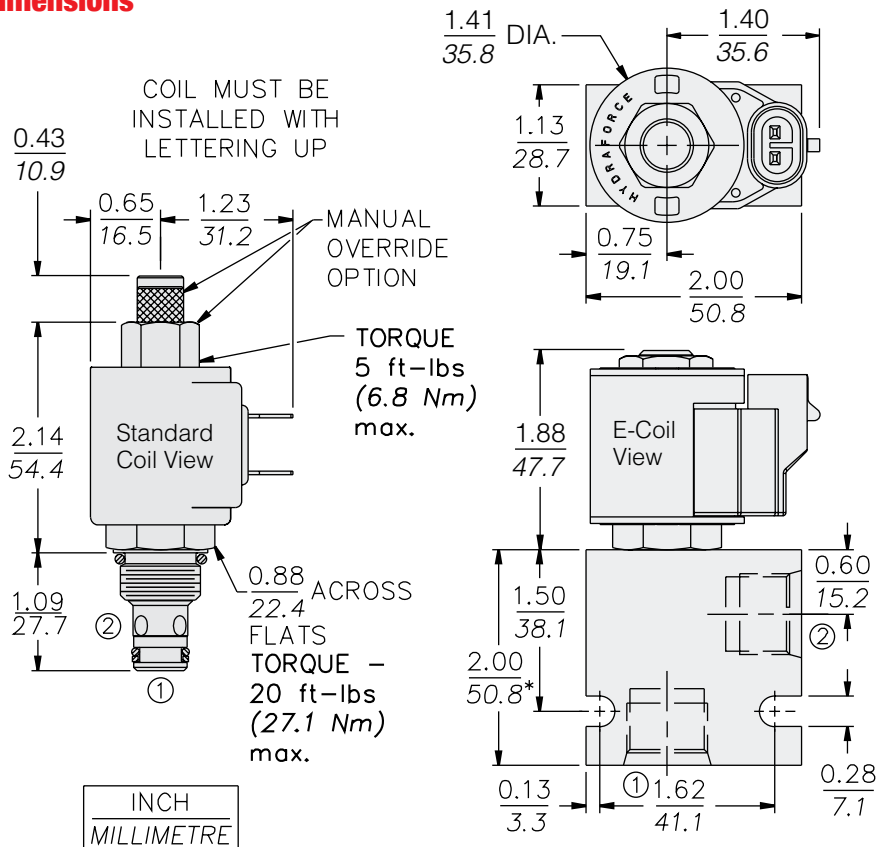
ISO:



Performance (Cartridge Only)



Dimensions



* BSP BODY - 55.9 mm